

MORE FROM WOOD.



ACOUSTIC FLOORING SOLUTIONS

COST EFFECTIVE 44 DB INTERMEDIATE FLOORS



CURRENT REGULATIONS

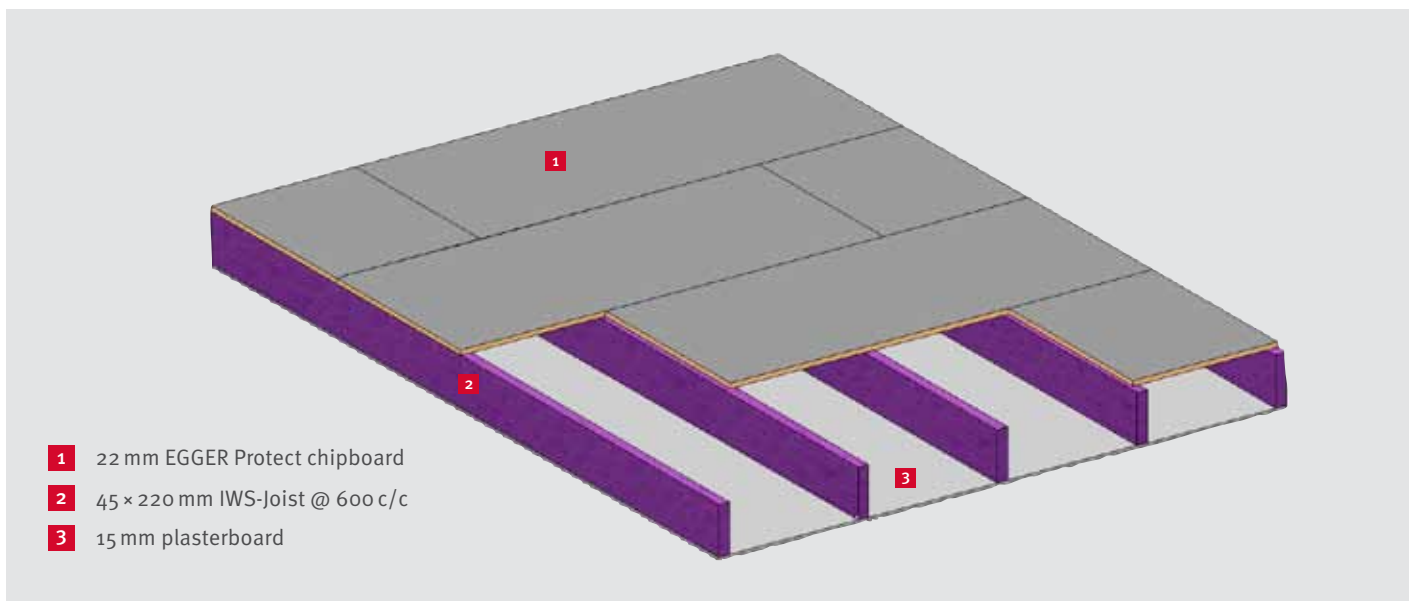
With regulations in the UK for the acoustic performance of residential properties becoming more stringent, we are working in partnership with IWS to provide a cost effective, simple solution.

Minimum airborne sound insulation levels required for intermediate floors within dwellings:

- To meet England & Wales Approved Document E = Minimum 40 dB Rw
- To meet Section 5.2.1 Scottish Building Regulations = Minimum 43 dB Rw.
- To meet Silver (Aspect 7) in Scottish Building Regulations Section 7: Sustainability = Minimum 44 dB Rw.

THE EGGER / IWS INTERMEDIATE FLOORING SOLUTION

EGGER can achieve sound reduction of 44 dB with 22 mm EGGER Protect, a 15 mm plasterboard ceiling and 220 mm IWS-Joists at 600 mm centres



Benefits

In addition to meeting the UK acoustic performance regulations, this minimum specification solution offers cost savings in both materials and installation:

- No insulation

Potential savings - £4 m² materials PLUS £4 m² installation costs = £8 m²

- No resilient bars

Potential savings - £4 m² materials PLUS £4 m² installation costs = £8 m²

- Shallow floors - overall depth 257 mm

- Joists can be treated with IWS FR-Build to provide excellent fire mitigation properties

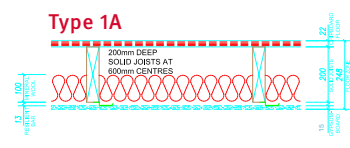
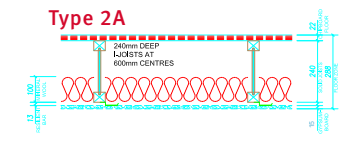
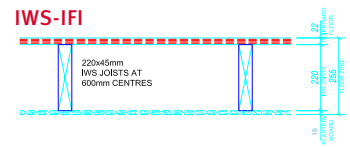
(fully compliant with WPA Benchmark FR Build quality scheme). IWS FR-Build has a distinctive purple

- colour.

Only engineered joist on the market pre-treated to significantly reduce water ingress. This allows it to retain its strength and straightness characteristics both during and after the build process.

COMPARISON OF ALTERNATIVE INTERMEDIATE FLOORING OPTIONS

To meet the latest UK acoustic regulations there are a number of different designs on the market. The following table shows a comparison of these options, all of which require insulation and resilient bar systems as part of the specification.

Alternative existing floor options*	Joist Depth/C/cs	Decking	Ceiling	Insulation required?	Resilient bars required?
 <p>Type 1A 200mm DEEP SOLID JOISTS AT 600mm CENTRES</p>	Solid Joists 200 mm 600 c/c	22 mm	1 layer 10 kg/m ²	Yes 100 mm	Yes 13 mm depth
 <p>Type 2A 240mm DEEP I-JOISTS AT 600mm CENTRES</p>	I-Joists 240 mm 600 c/c	22 mm	1 layer 10 kg/m ²	Yes 100 mm	Yes 13 mm depth
Our solution	Joist Depth/C/cs	Decking	Ceiling	Insulation required?	Resilient bars required?
 <p>IWS-IFI 220x45mm IWS JOISTS AT 600mm CENTRES</p>	IWS-Joist 220 mm 600 c/c	EGGER Protect 22 mm	1 layer 10 kg/m ²	No insulation required	No resilient bar required

* As provided in Example Construction and Generic Internal Constructions, Section 4.c, published August 2011 by the Buildings Standards Division.

INDEPENDENT TESTING

The EGGER / IWS Intermediate Flooring solution has been tested independently via Sound Research Laboratories Ltd. To request a copy of the SRL technical report please contact us on T 01434 613376 or visit www.egger.co.uk/building.



EGGER (UK) Limited
Anick Grange Road
Hexham, Northumberland
NE46 4JS
United Kingdom
T 01434 602191
F 01434 605103
info.uk@egger.com

www.egger.co.uk/building

Intelligent Wood Systems
Station Road
Methven
Perthshire
PH1 3QF
T 01738 840258
F 01738 840735
www.intelligentwoodsystems.co
m